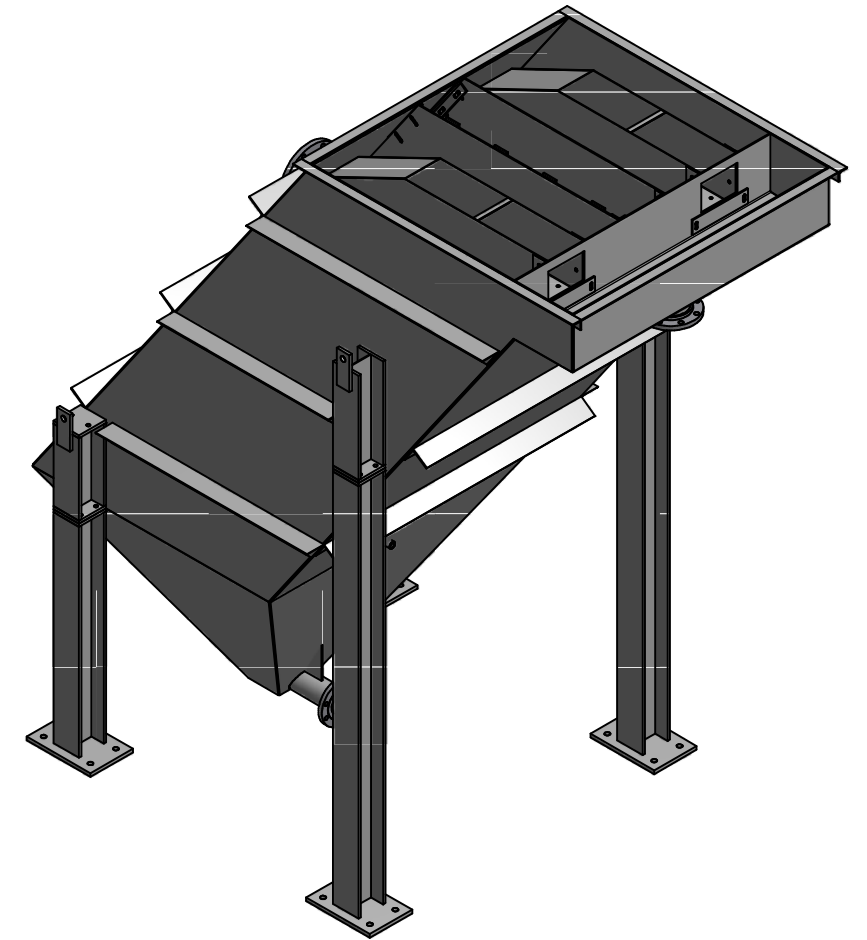
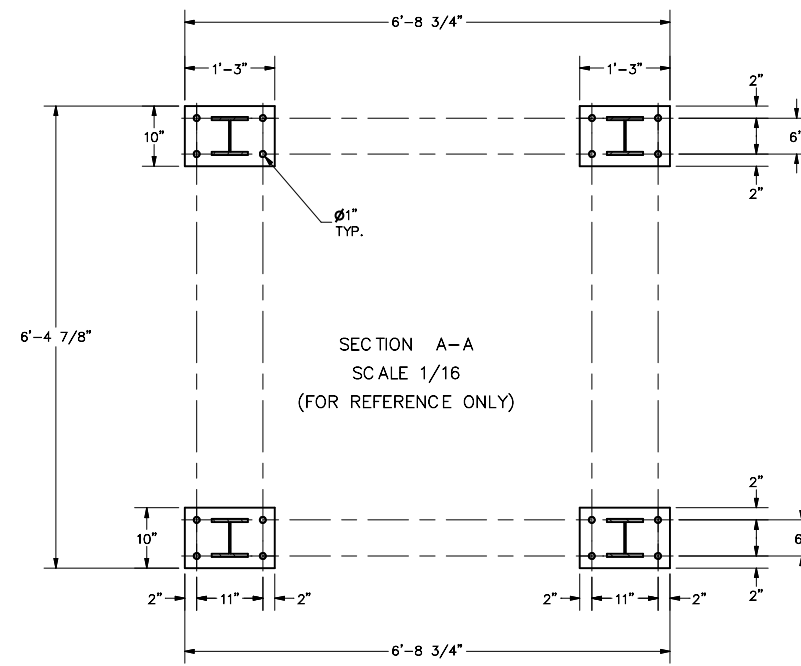


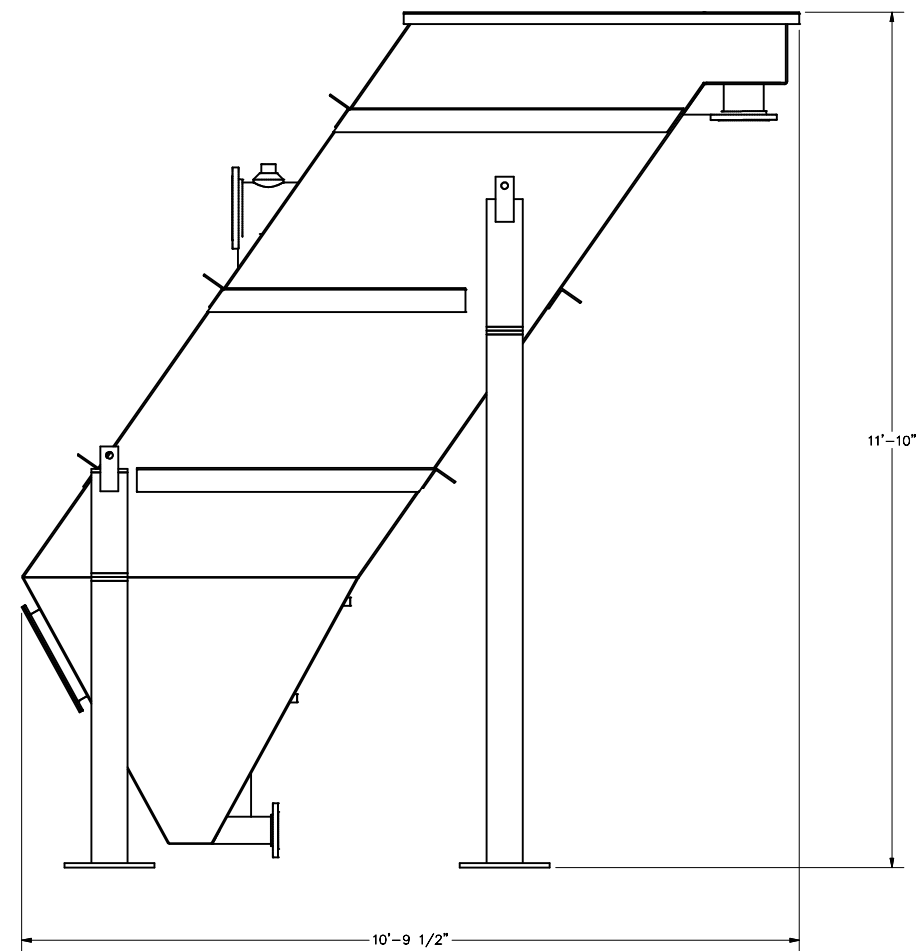
ASSEMBLY TOP VIEW  
SCALE 1/16



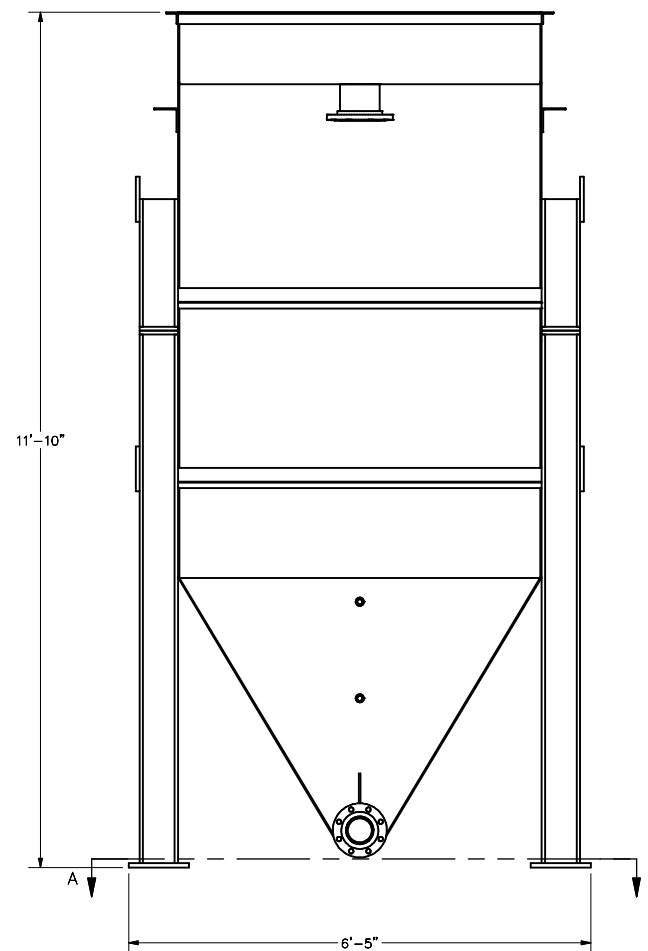
FOR REFERENCE ONLY

WEIGHT: #4,400 EMPTY – #12,600 FULL

GPM: 70 @ 600 mg/l



ASSEMBLY RIGHT VIEW  
SCALE 1/16



ASSEMBLY BACK VIEW  
SCALE 1/16

		3696 Northridge Dr NW, Suite 10 Grand Rapids, MI 49544	
		<b>TITLE: CLARIFIER MODEL JMS-350</b>	
DRAWN BY JTJ	DATE 8-26-22	DRAWING NAME: JMS-350-WEB.idw	REV .